

PCM-037 minimal power circuit

Differing from the PCM-037 hardware manual, the module can not be powered with one 3,3V power supply. If module is supplied with one 3,3V supply, it will not power up unless an external event like a rising edge at the x_/ON1..3 buttons accrues. This is usually not the desired behaviour.

For direct power-up after connecting to a power supply, use the wiring as shown in figure 1.

power supply	min.	typ.	max.
5V (x_Charger_Input)	4,4V	5V	20V
3,3V (VIN)	3,25V	3,3V	4,5V
3,3V (VCC_3V3)	3,15V	3,3V	3,45V

To simplify the power supply circuit, it is also possible to merge both 3,3V regulators into one.

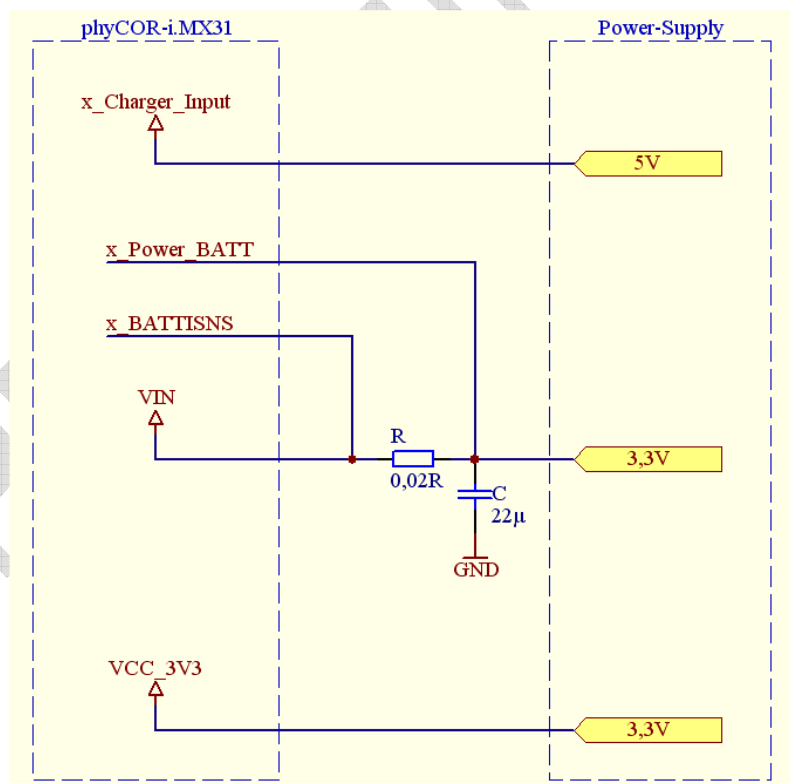


Figure 1: minimal power circuit